

# Professional Grade Reverse Osmosis System

*An affordable line of RO's designed with the user in mind. All the features you need with a small footprint makes this the perfect system for your industrial application.*

## **A Standard Design with Maximum Versatility**

Expandable configurations  
Options for single or dual pass

## **Conserves Water**

Adjustable product / reject recovery rates sends less water down the drain

## **Rust Free Design**

Power coated aluminum frame keeps the system looking like new year after year

## **Standard Controller Offers All the Features You Need**

Automatic membrane feed flush on start and stop  
Optional divert for poor quality water

- Alarms include:
  - High conductivity
  - Low feed pressure
  - Tank low alarm
- Tank full start / stop
- Readouts for water temperature and hours of operation

## **Variable 3 Phase Voltages to Fit Your Needs**

208V / 230V  
440V / 480V

- 575V

## **Optional Pretreatment Injection Configurations:**

Prewired and pre-plumbed for easy integration for chemical pretreatment package:

- Chlorine destruct
- Anti-scalant
- Clean-in-Place optional

## **Sample Ports at Each Membrane**

Allows for profiling of each individual membrane



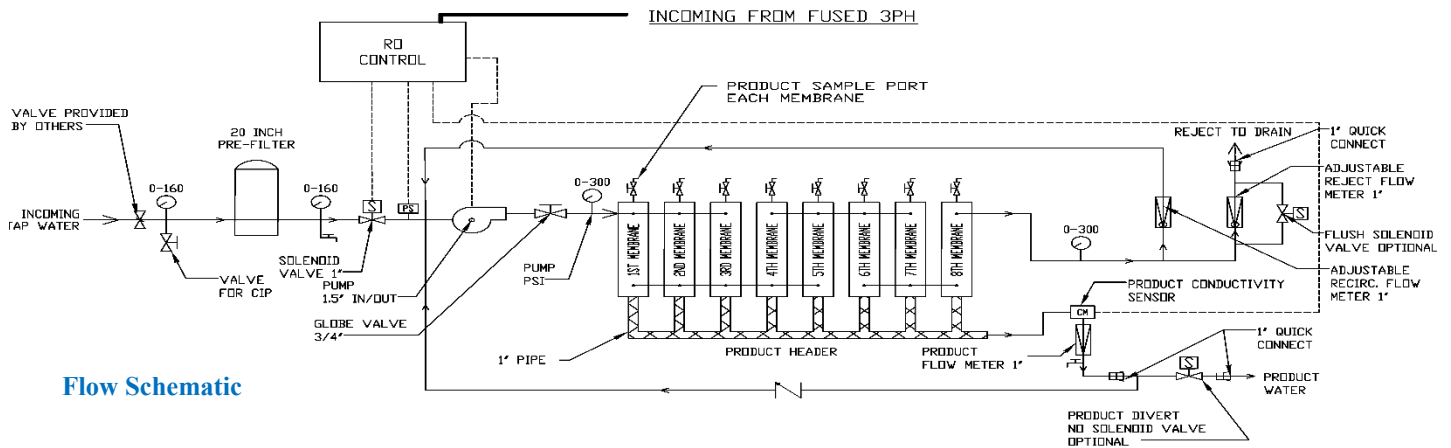
*Compact design takes up little floor space yet produces up to 20,000 GPD.*



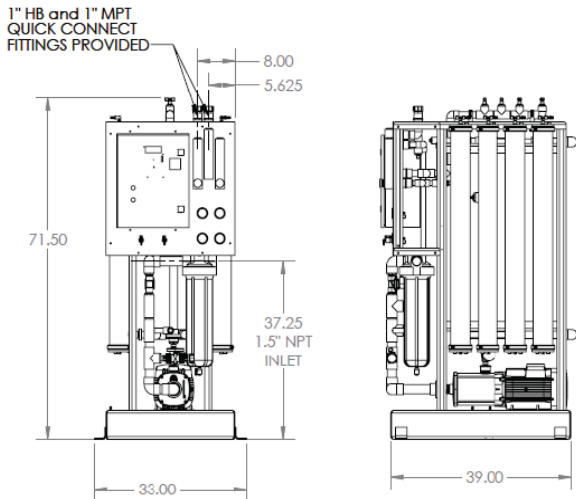
Intertek  
5012025  
Conforms to  
UL Std. 979  
Certified to  
CSA Std.  
C22.2#14

# Series PG Specifications

## 5,000 - 10,000 Gallons Per Day



Flow Schematic



Dimensions

### Temperature Correction Flow Rates

| MODEL | 77° F<br>55° C         | 62° F<br>17° C         | 50° F<br>10° C        |
|-------|------------------------|------------------------|-----------------------|
| PG 54 | 8.6 GPM<br>12,000 GPD  | 6.8 GPM<br>9,875 GPD   | 5.4 GPM<br>7,785 GPD  |
| PG 64 | 10.4 GPM<br>15,000 GPD | 8.2 GPM<br>11,850 GPD  | 6.5 GPM<br>9,450 GPD  |
| PG 74 | 12.1 GPM<br>17,500 GPD | 9.6 GPM<br>13,825 GPD  | 7.6 GPM<br>11,025 GPD |
| PG 84 | 13.8 GPM<br>20,000 GPD | 10.9 GPM<br>15,800 GPD | 8.7 GPM<br>12,600 GPD |

| MODEL                          | PG 54   | PG 64    | PG 74    | PG 84    |
|--------------------------------|---|----------|----------|----------|
| <b>PERFORMANCE</b>             |   |          |          |          |
| Nominal Rejection              | 99%   | 99%      | 99%      | 99%      |
| Production / GPD*              | 12,500  | 15,000   | 17,500   | 20,000   |
| Product Flow / GPM*            | 8.6   | 10.4     | 12.1     | 13.8     |
| Recovery                       | 50-75%  | 50-75%   | 50-75%   | 50-75%   |
| <b>ELECTRICAL</b>              |   |          |          |          |
| Three Phase                    | 208-230V / 440-480V / 575V options                                |          |          |          |
| Horsepower / Amps              | 8 HP<br>208V=21 Amps 230V=20 Amps<br>480V=10.2 Amps 575V=8.2 Amps |          |          |          |
| <b>MEMBRANES</b>               |   |          |          |          |
| Size                           | 4" x 40"  | 4" x 40" | 4" x 40" | 4" X 40" |
| Quantity                       | 5   | 6        | 7        | 8        |
| Membrane Array                 | 2:1:1:1   | 2:2:1:1  | 2:2:2:1  | 3:2:2:1  |
| Type                           | Thin Film Nanocomposite (TFN)                                     |          |          |          |
| <b>FEED WATER REQUIREMENTS</b> |   |          |          |          |
| Chlorine Tolerance             | < 0.1 Parts Per Million   |          |          |          |
| Temperature                    | Maximum 113° F / 45° C  |          |          |          |
| Operating pH Range             | 4-10  |          |          |          |
| Cleaning pH                    | 2-12  |          |          |          |
| Pre-Filtration                 | 5-Micron  |          |          |          |
| Membrane Pressure Range (PSIG) | 120-160   |          |          |          |
| Max. Fouling Index (SDI)       | < 5.0   |          |          |          |
| <b>DIMENSIONAL DATA</b>        |   |          |          |          |
| Connections                    | Inlet 1.5" FIP / Outlet 1" QC / Drain 1" QC                       |          |          |          |
| Height x Wide x Depth          | 73" H x 33" W x 42" D   |          |          |          |
| Weight (approx.)               | 565 lbs.  |          |          |          |

\*Product flow rates vary with pressure and temperature. Models are rated at 77° F (25° C) with feed water of 1500 PPM NaCl solution @ 150 psi pressure. Permeate flow varies + or - 15%.