

## Professional Grade Reverse Osmosis System

*An affordable line of RO's designed with the user in mind. All the features you need with a small footprint makes this the perfect system for your industrial application.*

### **A Standard Design with Maximum Versatility**

Expandable configurations  
Options for single or dual pass

### **Conserves Water**

Adjustable product / reject recovery rates sends less water down the drain

### **Rust Free Design**

Power coated aluminum frame keeps the system looking like new year after year

### **Standard Controller Offers All the Features You Need**

Automatic membrane feed flush on start and stop  
Optional divert for poor quality water

- Alarms include:
  - High conductivity
  - Low feed pressure
  - Tank low alarm
- Tank full start / stop
- Readouts for water temperature and hours of operation

### **Variable 3 Phase Voltages to Fit Your Needs**

208V / 230V  
440V / 480V

- 575V

### **Optional Pretreatment Injection Configurations:**

Prewired and pre-plumbed for easy integration for chemical pretreatment package:

- Chlorine destruct
- Anti-scalant
- Clean-in-Place optional

### **Sample Ports at Each Membrane**

Allows for profiling of each individual membrane

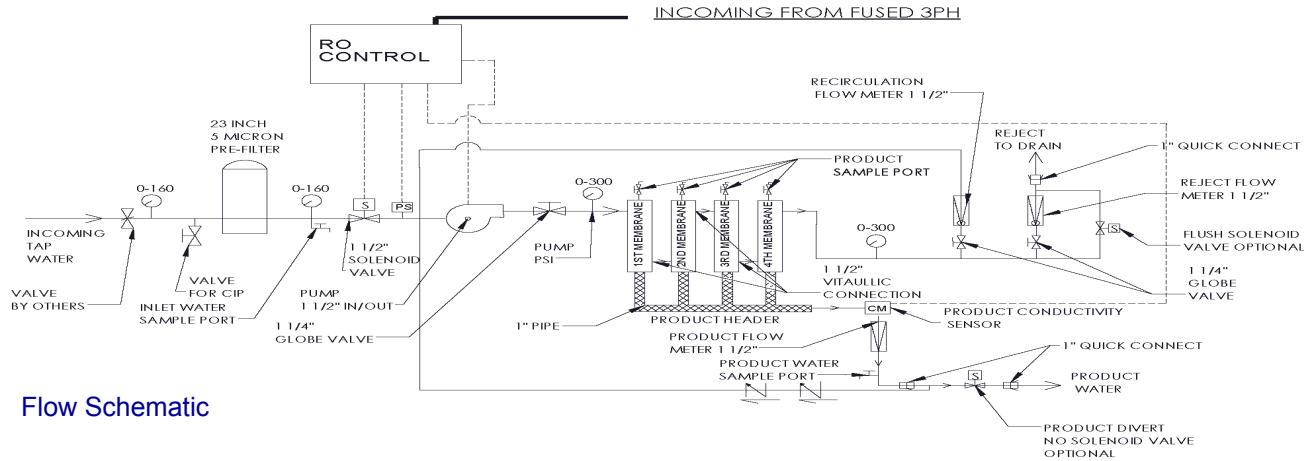


*Compact design takes up little floor space yet produces up to 46,000 GPD.*

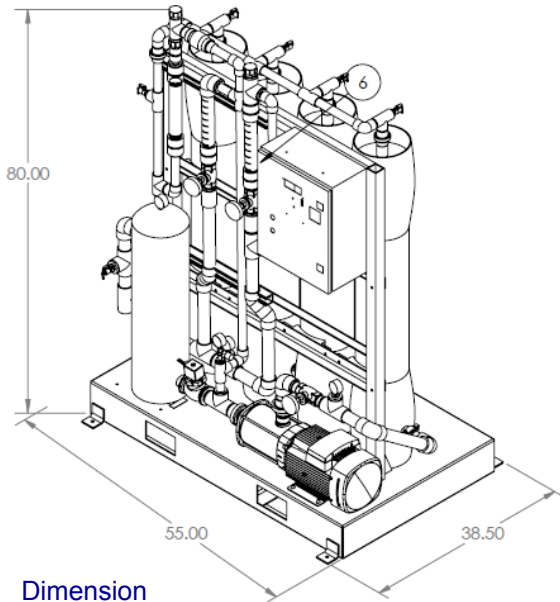
# Series PG Specifications

23,080-46,000 Gallons Per Day

Series  
PGI 28-48



Flow Schematic



Dimension

### Temperature Correction Flow Rate

MODEL	77° F 55° C	62° F 17° C	50° F 10° C
PGI-28	16 GPM 23,000 GPD	12.5 GPM 17,900 GPD	10.8 GPM 14,500 GPD
PGI-38	24 GPM 34,500 GPD	19 GPM 27,373 GPD	15 GPM 21,829 GPD
PGI-48	32 GPM 46,000 GPD	25.3 GPM 36,498 GPD	20.2 GPM 29,106 GPD

MODEL	PG 54	PG 64	PG 74	PG 84
<b>PERFORMANCE</b>				
Nominal Rejection	99%	99%	99%	99%
Production / GPD*	12,500	15,000	17,500	20,000
Product Flow / GPM*	8.6	10.4	12.1	13.8
Recovery	50-75%	50-75%	50-75%	50-75%
<b>ELECTRICAL</b>				
Three Phase	208-230V / 440-480V / 575V options			
Horsepower / Amps	8 HP 208V=21 Amps 230V=20 Amps 480V=10.2 Amps 575V=8.2 Amps			
<b>MEMBRANES</b>				
Size	4" x 40"	4" x 40"	4" x 40"	4" X 40"
Quantity	5	6	7	8
Membrane Array	2:1:1:1	2:2:1:1	2:2:2:1	3:2:2:1
Type	Thin Film Nanocomposite (TFN)			
<b>FEED WATER REQUIREMENTS</b>				
Chlorine Tolerance	< 0.1 Parts Per Million			
Temperature	Maximum 113° F / 45° C			
Operating pH Range	4-10			
Cleaning pH	2-12			
Pre-Filtration	5-Micron			
Membrane Pressure Range (PSIG)	120-160			
Max. Fouling Index (SDI)	< 5.0			
<b>DIMENSIONAL DATA</b>				
Connections	Inlet 1.5" FIP / Outlet 1" QC / Drain 1" QC			
Height x Wide x Depth	73" H x 33" W x 42" D			
Weight (approx.)	565 lbs.			

\*Product flow rates vary with pressure and temperature. Models are rated at 77° F (25° C) with feed water of 1500 PPM NaCl solution @ 150 psi pressure. Permeate flow varies + or - 15%.