

Reverse Osmosis System

1,800 – 7,200 Gallons Per Day



1257 Stanley Ave, Dayton, OH 45404

An affordable line of RO systems designed with the end user in mind. All the features you need in a small footprint makes this the perfect system for your application.

Conserves Water

Adjustable recirculation / reject recovery rates send less water down the drain.

Maximum Versatility

Expandable configuration makes it easy to increase output without the need for purchasing as additional RO.

Sample ports at each membrane allows for individual membrane profiling.

Rust Free Design

Powder coated aluminum frame keeps the system looking like new year after year. Free of brass, copper, and lead.

Single Phase

Multi-Functional Controller Offers All the Features You Need



Intertek
5012025
Conforms to
UL Std. 979
Certified to
CSA Std.
C22.2#14

Certified to assure top quality manufacturing and components

Automatic membrane feed flush on start and stop.

Optional divert to drain on poor quality water.

Dry contacts for tank level and pretreatment lockout.

Readouts for water temperature and hours of operation. Alarms for high conductivity and low feed pressure.



Compact design takes up little floor space

NuStream's CGD series is built to last making high purity water for years.

Because we use stainless steel, powder coated aluminum frames and high-quality reinforced plastic, our RO systems won't rust.

Maintenance is minimal! Our energy saving polyamide fiberglass wrapped membranes will give you both high productivity and dissolved solids rejection.

All products are designed and manufactured in the USA with pride. We listen and we care.

And all that equals a very high-quality customer experience.

Optional Facilities Management Communication

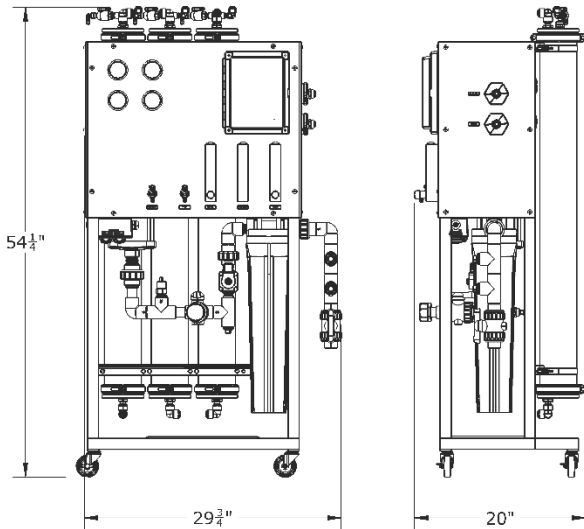
Communicates conductivity, system status, alarms, operation hours and temperature to the building control system.

Optional Pretreatment Choices

Chemical Injection	Equipment
Pre-wired and pre-plumbed for NuStream's chlorine destruct, anti-scalant and membrane clean-in-place.	Full line of softeners, multi-media and backwashing carbons sized for your needs.

MODEL	CGD 14	CGD 24	CGD 34	CGD 44
PERFORMANCE				
Nominal Rejection	99%			
Production (GPD)*	1,800	3,600	5,400	7,000
Product Flow (GPM)*	1.2	2.5	3.7	5
Recovery	50% - 75% Adjustable			
ELECTRICAL				
Single Phase	115V, 20 Amp Dedicated Receptacle			220V 10 Amps
Horsepower / Amps	1.5 HP 14.67 Amps			1.7 HP 7 Amps
MEMBRANES				
Size	4" x 40"			
Quantity	1	2	3	4
Type	Thin Film Nanocomposite			
Pressure Range (PSIG)	120 - 160			
FEED WATER REQUIREMENTS				
Chlorine Tolerance	< 0.1 PPM			
Temperature	Maximum 113°F (45°C)			
Operating pH Range	4 - 10			
Feed Flow GPM	2.5	5	7.5	10
Pre-Filtration	5 Microns			
Pressure Range (PSIG)	30 - 90			
Max. Fouling Index (SDI)	< 5.0			
CONNECTIONS, DIMENSIONS and WEIGHT				
Connections	In 3/4" FPT / Out 1/2" FPT / Drain 1/2" FPT			
Height, Width, Depth	54.5" x 30" x 20"			
Operating Weight	Approx. 195 lbs			

*Based on production @ 77°F, 150psi, 1500 µS NaCl and 6.5-7.0 pH.
Permeate flow for individual elements may vary ± 15%



ALSO AVAILABLE...

Reverse Osmosis

RO's ranging from 1,200 - 172,000 GPD
Larger custom systems per your spec.

Pretreatment

Softeners / Filters

Post Treatment

Filters / Electro-Deionizer
Ultra-Violet / Ozone

Accessories

Storage Tanks / Cartridges

TEMPERATURE CORRECTION FLOW RATES

MODEL	77°F / 25°C	62°F / 17°C	50°F / 10°C
CGD 14	1.2 GPM	.9 GPM	.8 GPM
	1,800 GPD	1,440 GPD	1,130 GPD
CGD 24	2.5 GPM	2 GPM	1.5 GPM
	3,600 GPD	2,800 GPD	2,268 GPD
CGD 34	3.7 GPM	3 GPM	2 GPM
	5,400 GPD	4,200 GPD	3,400 GPD
CGD 44	5 GPM	4 GPM	3 GPM
	7,200 GPD	5,544 GPD	4,536 GPD