

Reverse Osmosis System

5,000 – 10,000 Gallons Per Day



1257 Stanley Ave, Dayton, OH 45404

An affordable line of RO systems designed with the end user in mind. All the features you need in a small footprint makes this the perfect system for your application.

Conserves Water

Adjustable recirculation / reject recovery rates send less water down the drain.

Maximum Versatility

Expandable configuration makes it easy to increase output without the need for purchasing as additional RO.

Options for single or dual pass configurations.

Sample ports at each membrane allows for individual membrane profiling.

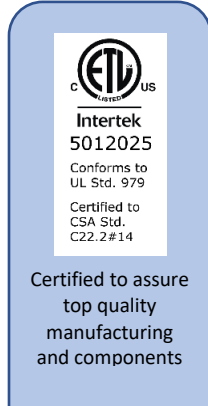
Rust Free Design

Powder coated aluminum frame keeps the system looking like new year after year. Free of brass, copper, and lead.

Variable 3 Phase Voltages to Fit Your Needs

208V / 220 – 240V / 440 – 480V

Multi-Functional Controller Offers All the Features You Need



Automatic membrane feed flush on start and stop.

Optional divert to drain on poor quality water.

Dry contacts for tank level and pretreatment lockout.

Readouts for water temperature and hours of operation. Alarms for high conductivity and low feed pressure.



Compact design takes up little floor space

NuStream's PG series is built to last making high purity water for years.

Because we use stainless steel, powder coated aluminum frames and high-quality reinforced plastic, our RO systems won't rust.

Maintenance is minimal! Our energy saving polyamide fiberglass wrapped membranes will give you both high productivity and dissolved solids rejection.

All products are designed and manufactured in the USA with pride. We listen and we care.

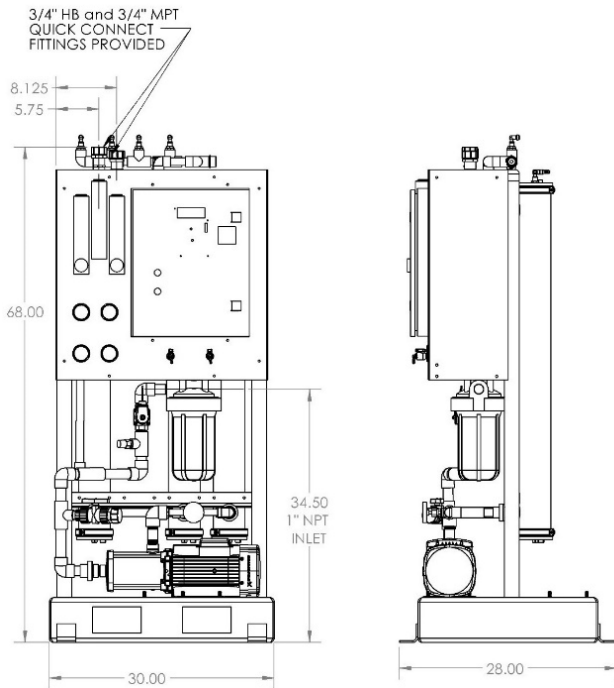
And all that equals a very high-quality customer experience.

Optional Facilities Management Communication

Communicates conductivity, system status, alarms, operation hours and temperature to the building control system.

Optional Pretreatment Choices

Chemical Injection	Equipment
Pre-wired and pre-plumbed for NuStream's chlorine destruct, anti-scalant and membrane clean in place.	Full line of softeners, multi-media and backwashing carbons sized for your needs.



MODEL	PG 24	PG 34	PG 44
PERFORMANCE			
Nominal Rejection	99%		
Production (GPD)*	5,000	7,500	10,000
Product Flow (GPM)*	3.4	5.2	6.9
Recovery	50% - 75% Adjustable		
ELECTRICAL			
Three Phase	208V / 220 – 240V / 440 – 480V		
Horsepower / Amps	3.4 HP 208V = 9.8 Amps 220 - 240V = 8.9 Amps 440 - 480V = 4 Amps		
MEMBRANES			
Size	4" x 40"		
Quantity	2	3	4
Type	Thin Film Nanocomposite		
Membrane Pressure (PSIG)	120 - 160		
FEED WATER REQUIREMENTS			
Chlorine Tolerance	< 0.1 PPM		
Temperature	Maximum 113°F (45°C)		
Operating pH Range	4 – 10		
Pre-Filtration	5 Microns		
Feed Flow GPM	7	11	14
Pressure Range (PSIG)	30 - 90		
Max. Fouling Index (SDI)	< 5.0		
CONNECTIONS, DIMENSIONS and WEIGHT			
Connections	In 1" FIP / Out 3/4" QC / Drain 3/4" QC		
Width, Depth, Height	28" x 30" x 68"		
Operating Weight	Approx. 310 lbs		

*Based on production @ 77°F, 150 psi, 1500 µS NaCl and 6.5-7.0 pH. Permeate flow for individual elements may vary ± 15%.

ALSO AVAILABLE...

Reverse Osmosis

RO's ranging from 1,200 – 172,000 GPD
Larger custom systems per your spec.

Pretreatment

Softeners / Filters

Post Treatment

Filters / Electro-Deionizer
Ultra-Violet / Ozone

Accessories

Storage Tanks / Cartridges

TEMPERATURE CORRECTION FLOW RATES

MODEL	77°F / 25°C	62°F / 17°C	50°F / 10°C
PG-24	3 GPM	2 GPM	2 GPM
	5,000 GPD	3,950 GPD	3,150 GPD
PG-34	5 GPM	4 GPM	3 GPM
	7,500 GPD	5,925 GPD	4,725 GPD
PG-44	6 GPM	5 GPM	4 GPM
	10,000 GPD	7,900 GPD	6,300 GPD