

# Reverse Osmosis System

12,500 – 20,000 Gallons Per Day



1257 Stanley Ave, Dayton, OH 45404

*An affordable line of RO systems designed with the end user in mind. All the features you need in a small footprint makes this the perfect system for your application.*

## Conserves Water

Adjustable recirculation / reject recovery rates send less water down the drain.

## Maximum Versatility

Expandable configuration makes it easy to increase output without the need for purchasing as additional RO.

Options for single or dual pass configurations.

Sample ports at each membrane allows for individual membrane profiling.

## Rust Free Design

Powder coated aluminum frame keeps the system looking like new year after year. Free of brass, copper, and lead.

## Variable 3 Phase Voltages to Fit Your Needs

208V / 220 – 240V / 440 – 480V

## Multi-Functional Controller Offers All the Features You Need



Certified to assure top quality manufacturing and components

Automatic membrane feed flush on start and stop.

Optional divert to drain on poor quality water.

Dry contacts for tank level and pretreatment lockout.

Readouts for water temperature and hours of operation. Alarms for high conductivity and low feed pressure.



## Compact design takes up little floor space

NuStream's PG series is built to last making high purity water for years.

Because we use stainless steel, powder coated aluminum frames and high-quality reinforced plastic, our RO systems won't rust.

Maintenance is minimal! Our energy saving polyamide fiberglass wrapped membranes will give you both high productivity and dissolved solids rejection.

All products are designed and manufactured in the USA with pride. We listen and we care.

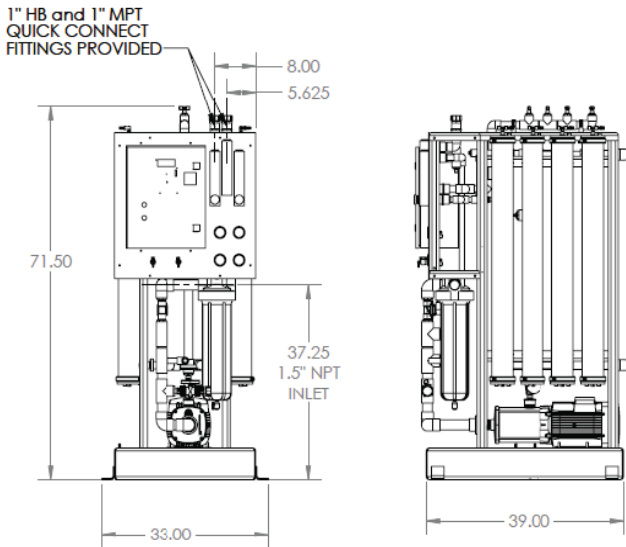
And all that equals a very high-quality customer experience.

## Optional Facilities Management Communication

Communicates conductivity, system status, alarms, operation hours and temperature to the building control system.

## Optional Pretreatment Choices

Chemical Injection	Equipment
Pre-wired and pre-plumbed for NuStream's chlorine destruct, anti-scalant and membrane clean-in-place.	Full line of softeners, multi-media and backwashing carbons sized for your needs.



### ALSO AVAILABLE...

**Reverse Osmosis**  
RO's ranging from 1,200 – 172,000 GPD  
Larger custom systems per your spec.

**Pretreatment**  
Softeners / Filters

**Post Treatment**  
Filters / Electro-Deionizer  
Ultra-Violet / Ozone

**Accessories**  
Storage Tanks / Cartridges

MODEL	PG 54	PG 64	PG 74	PG 84
<b>PERFORMANCE</b>				
Nominal Rejection	99%			
Production (GPD)*	12,500	15,000	17,500	20,000
Product Flow (GPM)*	8	10	12	13
Recovery	50% - 75% Adjustable			
<b>ELECTRICAL</b>				
Three Phase	208V / 220-240V / 440-480V			
Horsepower / Amps	8 HP 208V = 21 Amps 220-240V = 20 Amps 440-480V = 10.2 Amps			
<b>MEMBRANES</b>				
Size	4" x 40"			
Quantity	5	6	7	8
Type	Thin Film Nanocomposite			
Pressure Range (PSIG)	120 - 160			
<b>FEED WATER REQUIREMENTS</b>				
Chlorine Tolerance	< 0.1 PPM			
Temperature	Maximum 113°F (45°C)			
Operating pH Range	4 – 10			
Pre-Filtration	5 Microns			
Feed Flow GPM	17	21	25	28
Pressure Range (PSIG)	30 - 90			
Max. Fouling Index (SDI)	< 5.0			
<b>CONNECTIONS, DIMENSIONS and WEIGHT</b>				
Connections	In 1.5" FPT / Out 1" QC / Drain 1" QC			
Width, Depth, Height	33" x 39" x 71.5"			
Operating Weight	Approx. 565 lbs			

\*Based on production @ 77°F, 150 psi, 1500 µS NaCl and 6.5-7.0 pH.  
Permeate flow for individual elements may vary ± 15%

### TEMPERATURE CORRECTION FLOW RATES

MODEL	77°F / 25°C	62°F / 17°C	50°F / 10°C
PG-54	8 GPM	6 GPM	4 GPM
	12,500 GPD	9,328 GPD	6,613 GPD
PG-64	10 GPM	7 GPM	5 GPM
	15,000 GPD	11,194 GPD	7,936 GPD
PG-74	12 GPM	9 GPM	6 GPM
	17,500 GPD	13,059 GPD	9,259 GPD
PG-84	13 GPM	10 GPM	7 GPM
	20,000 GPD	14,925 GPD	10,582 GPD